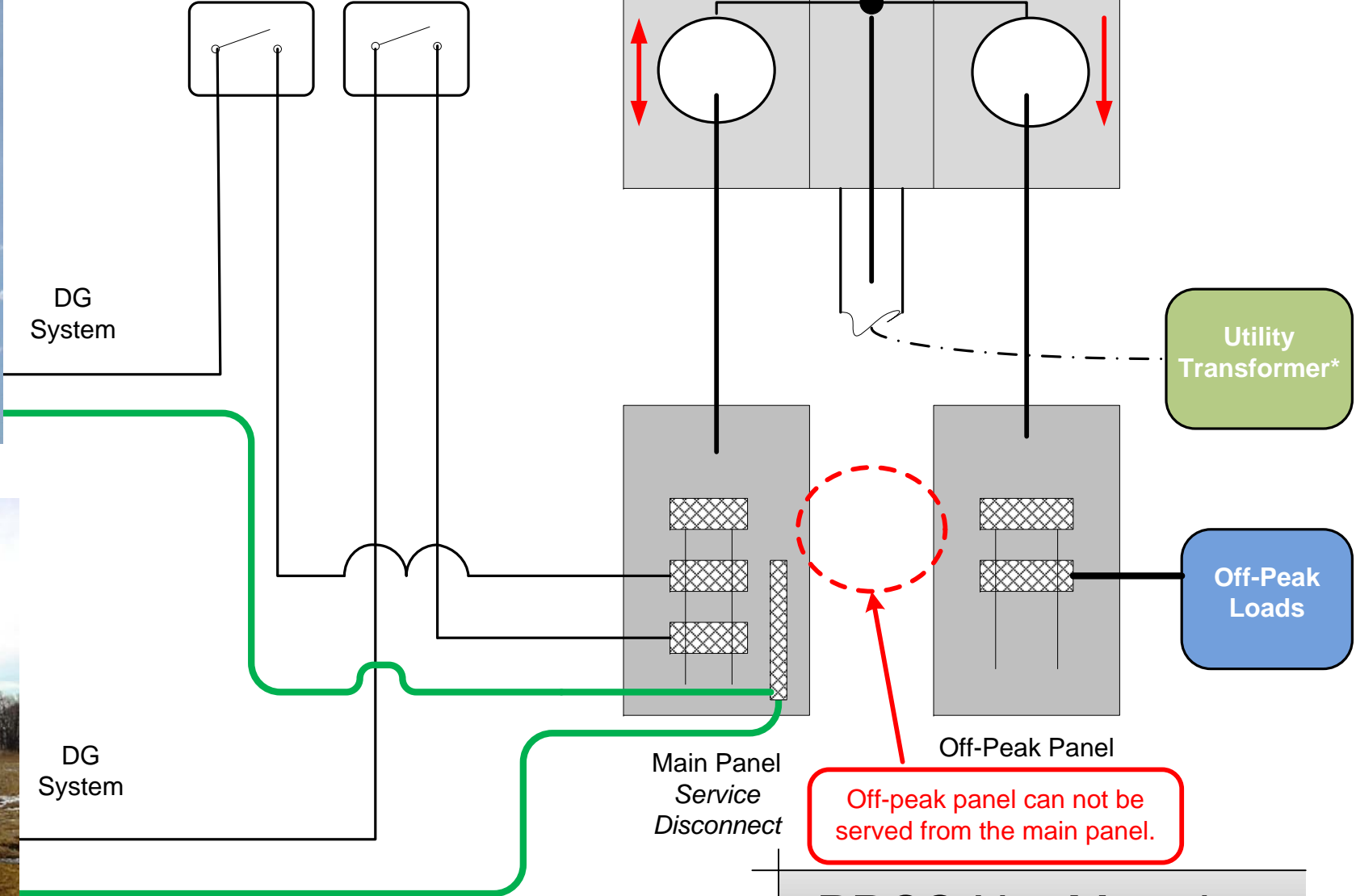




Wind DG  
 "Visible break",  
 Lockable  
 Disconnect

Solar DG  
 "Visible break",  
 Lockable  
 Disconnect

**Must be located near main electric meter  
 for easy access.**



*\*NOTE: Both underground and overhead service options are available.*

## Parallel Meter Socket

**PPCS Net Metering**  
 Technical Diagram – self-contained meters  
 April 2, 2009

# PPCS Net Metering

Technical Diagram – parallel CT meters  
August 5, 2009



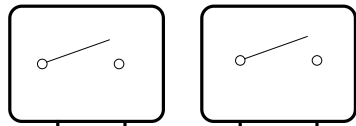
DG System



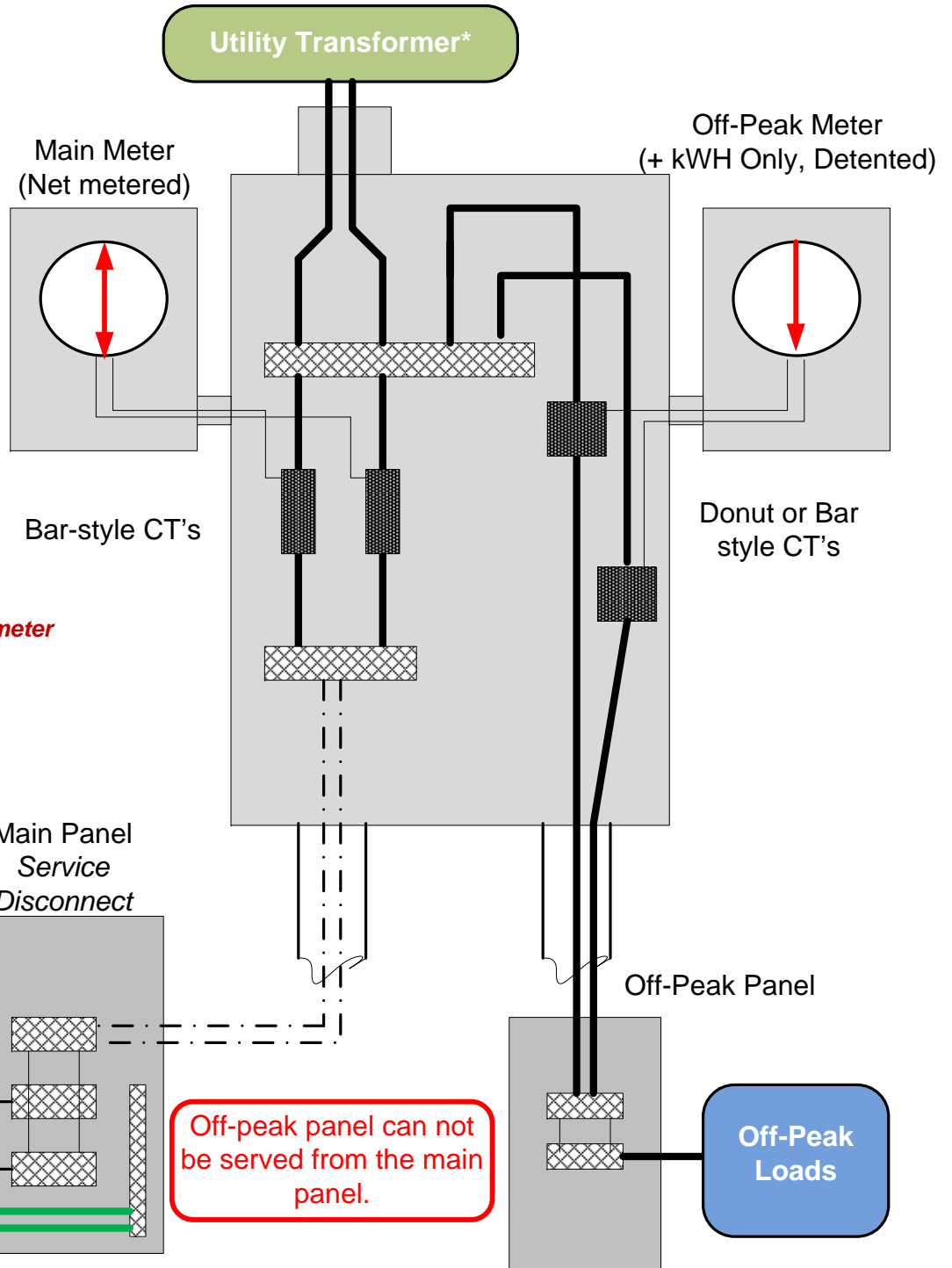
DG System

Wind DG  
"Visible break",  
Lockable  
Disconnect

Solar DG  
"Visible break",  
Lockable  
Disconnect



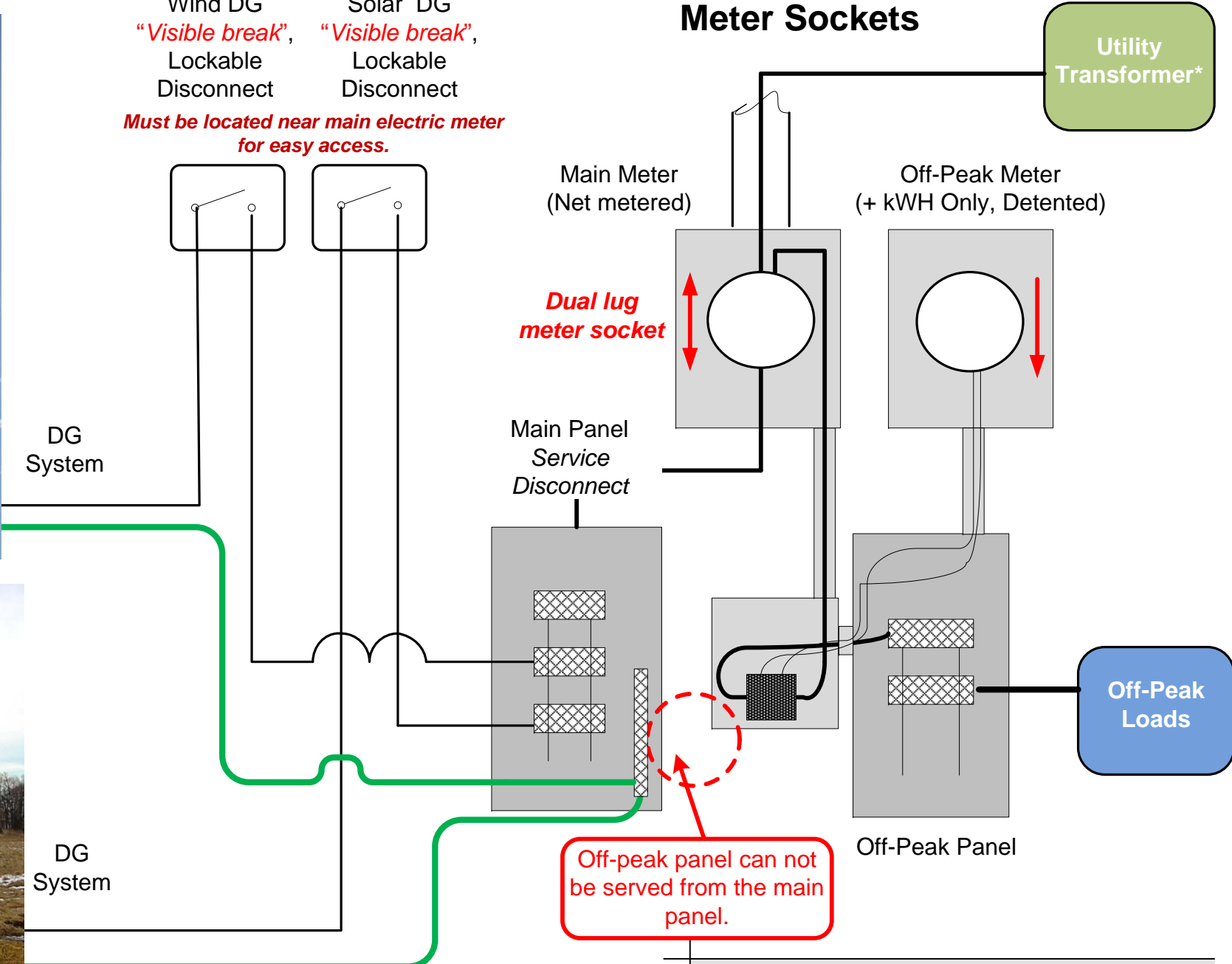
*Must be located near main electric meter  
for easy access.*



*\*NOTE: Both underground and overhead service options are available.*



Wind DG "Visible break", Lockable Disconnect  
 Solar DG "Visible break", Lockable Disconnect  
*Must be located near main electric meter for easy access.*



*\*NOTE: Both underground and overhead service options are available.*

**PPCCS Net Metering**  
 Technical Diagram – self-contained NET meter  
 CT off-peak meter  
 July 6, 2009